

# FITTINGS & ACCESSORIES

## VIKIMATIC PVC FITTINGS & ACCESSORIES

PVC Adapters For  
Joining Dissimilar Conduits

Description

Nominal  
Size

Std.  
Pkg.



**G-Cap**

G Plastic Cap	2" x 4"	24
For transition from	3" x 4"	24
Under Ground to	4" x 4"	24
Duct riser		



**Square Bore**

Square Bore	3-1/4** x 3-1/2" IPS	9
Adapter	3-1/2** x 3-1/2" IPS	9
Available in 6" and	3-1/4** x 4"	9
18" Length solid,	3-1/2** x 4"	9
2 finger and	3-1/4** x 5"	9
4 finger	4** x 4"	9
*Size of Clay	4-1/4** x 4"	9



**Female Threaded Adapter**

Female Threaded		
Adapter Joining	3-1/2" IPS x 4" Tel.	6
Threaded End	4" IPS x 4" Tel.	6
Steel Pipe to Tel.		



**Expansion Joint**

Expansion Joint		
Total Travel 8"	4"	6
Available to 30"	5"	6
w or w/o "O" ring		



**Wye Branch**

Wye Branch Solid	4"	6
(Molded) Split	4"	6



**Fabricated End Bell**

End Bell	3-1/2"	24
Round	4"	24
(7" length)		

**Part Number Ordering Matrix  
Begins On Page 90**

## BLANK DUCT PLUGS

### Sealing Devices for Ducted Cable Networks

Blank duct plugs effectively seal conduits to reduce the cost of cable placement and maintenance in new underground construction projects and routine work. These plugs are economical because they are removable and reusable.

Manufactured from high-impact plastic components, combined with durable elastic gaskets, Blank plugs are corrosion proof and effective as long-term or temporary seals.

Both water-tight and gas-tight, Blank duct plugs prevent the flow of water and the costly sedimentation of duct banks and conduit systems while confining problems of dangerous vapors to their source.

Each Blank plug is equipped with a rope tie device to allow the securing of pull rope to the plug's back compression plate. Installers can attach the rope to the back compression plate of the plug and store excess slack rope behind the plug within the conduit system for future use.



### Features

- All plastic construction
- Corrosion proof
- Water-tight
- Easy installation and removal
- Reusable

Part Number	Size	Duct I.D. Range	
		inches	mm
07D100U	0.700	0.71 - 0.83	18.0 - 21.1
10D104U	1.000	0.96 - 1.16	24.4 - 29.5
12D148U	1.250	1.14 - 1.48	29.0 - 37.6
12D163U	1.375	1.30 - 1.63	33.0 - 41.4
15D183U	1.500	1.49 - 1.83	37.8 - 46.5
20D236U	2.000	1.83 - 2.36	46.5 - 59.9
25D296U	2.500	2.34 - 2.96	59.4 - 75.2
30D346U	3.000	2.99 - 3.46	75.9 - 87.9
35D400T	3.500	3.45 - 3.80	86.9 - 96.5
35D400U	3.500	3.45 - 3.80	86.9 - 96.5
35D400N	3.500	3.45 - 3.80	86.9 - 96.5
38D401-C	3.800	3.80 - 3.94	96.5 - 100.1
40D400T	4.000	3.94 - 4.17	100.1 - 105.9
40D402N	4.000	3.94 - 4.17	100.1 - 105.9
40D402U	4.000	3.94 - 4.17	100.1 - 105.9
40D402U-C	4.000	3.94 - 4.17	100.1 - 105.9
50D500U	5.000	4.58 - 5.02	116.3 - 127.5
50D535U	5.000	5.00 - 5.35	127.0 - 135.9
55D590U-CR	5.500	5.51 - 5.91	140.0 - 150.1
60D637U	6.000	5.82 - 6.37	147.8 - 161.8
70D750U-CR	7.000	7.09 - 7.55	180.1 - 191.8
80D816U	8.000	7.83 - 8.27	198.9 - 210.1

## FIBER OPTIC SIMPLEX PLUGS

### Sealing Plugs for Small Diameter Ducts

Fiber Optic Simplex plugs effectively seal conduits containing one cable. Originally designed for applications involving fiber optic cable placement in subduct, this product is also ideal for sealing around coax or twisted pair cable in small diameter conduits. These plugs are retrofitable, removable, and reusable.

Proper sealing around cable in conduits and subducts is important to prevent the costly flooding of buildings and sedimentation of the area around the cable. These easily removable and reusable devices facilitate the redistribution of cable slack by ensuring a clear raceway around outside plant cables.

### Features

- Water-tight and air-tight
- Simple installation around in-place cables
- Easy to retrofit
- Seals all types of innerducts
- Wide cable sealing range
- Installs and removes by hand



### Note: When selecting a Fiber Optic Simplex plug:

1. Determine the inside diameter of the duct and select the range of plugs.
2. Determine the outside diameter of the cable (or innerduct) and select the correct plug in the range.

Part Number	Size	Duct I.D. Range		Cable or Duct O.D. Range	
		inches	mm	inches	mm
06S038S	0.600	0.63 - 0.71	16.0 - 18.0	0.33 - 0.39	8.4 - 9.9
06S038SB	0.600	0.63 - 0.71	16.0 - 18.0	0.27 - 0.39	6.9 - 9.9
06035SB	0.700	0.74 - 0.80	18.8 - 20.3	0.27 - 0.35	6.9 - 8.9
07S020SB	0.750	0.78 - 0.86	19.8 - 21.8	0.08 - 0.20	2.0 - 5.1
07S035SB	0.750	0.78 - 0.86	19.8 - 21.8	0.20 - 0.35	5.1 - 8.9
07S040SB	0.750	0.78 - 0.86	19.8 - 21.8	0.33 - 0.39	8.4 - 9.9
07S050SB-043H	0.750	0.78 - 0.86	19.8 - 21.8	0.31 - 0.50	7.9 - 12.7
07S057SB	0.750	0.78 - 0.82	19.8 - 20.8	0.35 - 0.57	8.9 - 14.5
09S050SB	0.900	0.92 - 1.02	23.4 - 25.9	0.35 - 0.50	8.9 - 12.7
09S050SB-043H	0.900	0.92 - 1.02	23.4 - 25.9	0.35 - 0.50	8.9 - 12.7
09S065SB	0.900	1.00 - 1.08	25.4 - 27.4	0.55 - 0.63	14.0 - 16.0
10S020SB	1.000	1.00 - 1.14	25.4 - 29.0	0.08 - 0.20	2.0 - 5.1
10S035S	1.000	1.00 - 1.14	25.4 - 29.0	0.27 - 0.35	6.9 - 8.9
10S035SB	1.000	1.00 - 1.14	25.4 - 29.0	0.20 - 0.35	5.1 - 8.9
10S057SB	1.000	1.00 - 1.14	25.4 - 29.0	0.35 - 0.57	8.9 - 14.5
10S065S	1.000	1.00 - 1.14	25.4 - 29.0	0.55 - 0.65	14.0 - 16.5
10S070SB	1.000	1.00 - 1.14	25.4 - 29.0	0.51 - 0.71	13.0 - 18.0
11S020SB	1.100	1.12 - 1.26	28.4 - 32.0	0.08 - 0.20	2.0 - 5.1
11S035SB	1.100	1.12 - 1.26	28.4 - 32.0	0.20 - 0.35	5.1 - 8.9
11S043S	1.100	1.12 - 1.26	28.4 - 32.0	0.35 - 0.43	8.9 - 10.9
11S057SB	1.100	1.12 - 1.26	28.4 - 32.0	0.35 - 0.57	8.9 - 14.5
11S070SB	1.100	1.12 - 1.26	28.4 - 32.0	0.51 - 0.71	13.0 - 18.0
11S078S	1.100	1.12 - 1.26	28.4 - 32.0	0.71 - 0.78	18.0 - 19.8
11S078SB	1.100	1.12 - 1.26	28.4 - 32.0	0.57 - 0.78	14.5 - 19.8

## FIBER OPTIC SIMPLEX PLUGS CONTINUED

Part Number	Size	Duct I.D. Range		Cable or Duct O.D. Range	
		inches	mm	inches	mm
12S043S	1.250	1.22 - 1.36	31.0 - 34.5	0.35 - 0.43	8.9 - 10.9
12S043SB-024H	1.250	1.22 - 1.36	31.0 - 34.5	0.24 - 0.43	6.1 - 10.9
12S057SB	1.250	1.22 - 1.36	31.0 - 34.5	0.35 - 0.57	8.9 - 14.5
12S057S-FD1	1.250	1.22 - 1.36	31.0 - 34.5	Flat Drop .179 x .325 x 1	
12S057SB-043H	1.250	1.22 - 1.36	31.0 - 34.5	0.35 - 0.57	8.9 - 14.5
12S065S	1.250	1.22 - 1.36	31.0 - 34.5	0.55 - 0.65	14.0 - 16.5
12S065S-FD2	1.250	1.22 - 1.36	31.0 - 34.5	Flat Drop .179 x .325 x 2	
12S070SB	1.250	1.22 - 1.36	31.0 - 34.5	0.51 - 0.71	13.0 - 18.0
12S070SB-057H	1.250	1.22 - 1.36	31.0 - 34.5	0.51 - 0.71	13.0 - 18.0
12S078SB	1.250	1.22 - 1.36	31.0 - 34.5	0.57 - 0.78	14.5 - 19.8
12S090SB	1.250	1.24 - 1.34	31.5 - 34.0	0.71 - 0.90	18.0 - 22.9
12S090S-FD3	1.250	1.24 - 1.34	31.5 - 34.0	Flat Drop .179 x .325 x 3	
12S090SB-078H	1.250	1.24 - 1.34	31.5 - 34.0	0.71 - 0.90	18.0 - 22.9
13S043SB	1.375	1.37 - 1.50	34.8 - 38.1	0.12 - 0.43	3.0 - 10.9
13S043SB-024H	1.375	1.37 - 1.50	34.8 - 38.1	0.24 - 0.43	6.1 - 10.9
13S057SB	1.375	1.37 - 1.50	34.8 - 38.1	0.35 - 0.57	8.9 - 14.5
13S070SB	1.375	1.37 - 1.50	34.8 - 38.1	0.51 - 0.71	13.0 - 18.0
13S097SB	1.375	1.33 - 1.46	33.8 - 37.1	0.71 - 0.97	18.0 - 24.6
15S020SB	1.500	1.46 - 1.65	37.1 - 41.9	0.08 - 0.20	2.0 - 5.1
15S035SB	1.500	1.46 - 1.65	37.1 - 41.9	0.08 - 0.35	2.0 - 8.9
15S043SB	1.500	1.46 - 1.65	37.1 - 41.9	0.08 - 0.43	2.0 - 10.9
15S043SB-024H	1.500	1.46 - 1.65	37.1 - 41.9	0.24 - 0.43	6.1 - 10.9
15S057SB	1.500	1.46 - 1.65	37.1 - 41.9	0.35 - 0.57	8.9 - 14.5
15S057SB-043H	1.500	1.46 - 1.65	37.1 - 41.9	0.35 - 0.57	8.9 - 14.5
15S065SB	1.500	1.46 - 1.65	37.1 - 41.9	0.46 - 0.65	11.7 - 16.5
15S070SB	1.500	1.46 - 1.65	37.1 - 41.9	0.51 - 0.71	13.0 - 18.0
15S070SB-057H	1.500	1.46 - 1.65	37.1 - 41.9	0.51 - 0.71	13.0 - 18.0
15S090SB	1.500	1.55 - 1.65	39.4 - 41.9	0.71 - 0.90	18.0 - 22.9
15S090SB-078H	1.500	1.55 - 1.65	39.4 - 41.9	0.71 - 0.90	18.0 - 22.9
15S110SB	1.500	1.55 - 1.65	39.4 - 41.9	0.90 - 1.10	22.9 - 27.9
15S070AB	1.500	1.58 - 1.73	40.1 - 43.9	0.51 - 0.71	13.0 - 18.0
15S090AB	1.500	1.58 - 1.73	40.1 - 43.9	0.71 - 0.90	18.0 - 22.9
15S110AB	1.500	1.58 - 1.73	40.1 - 43.9	0.90 - 1.10	22.9 - 27.9
20S020SB	2.000	1.82 - 1.97	46.2 - 50.0	0.08 - 0.20	2.0 - 5.1
20S035SB	2.000	1.82 - 1.97	46.2 - 50.0	0.08 - 0.35	2.0 - 8.9
20S043SB-024H	2.000	1.82 - 1.97	46.2 - 50.0	0.24 - 0.43	6.1 - 10.9
20S043S	2.000	1.82 - 1.97	46.2 - 50.0	0.35 - 0.43	8.9 - 10.9
20S057SB	2.000	1.82 - 1.97	46.2 - 50.0	0.35 - 0.57	8.9 - 14.5
20S070SB	2.000	1.82 - 1.97	46.2 - 50.0	0.51 - 0.71	13.0 - 18.0
20S090SB	2.000	1.82 - 1.97	46.2 - 50.0	0.71 - 0.90	18.0 - 22.9
20S110SB	2.000	1.82 - 1.97	46.2 - 50.0	0.90 - 1.10	22.9 - 27.9
21S020SB	2.100	1.98 - 2.18	50.3 - 55.4	0.08 - 0.20	2.0 - 5.1
21S035SB	2.100	1.98 - 2.18	50.3 - 55.4	0.20 - 0.35	5.1 - 8.9
21S035S	2.100	1.98 - 2.18	50.3 - 55.4	0.27 - 0.35	6.9 - 8.9
21S043SB	2.100	1.98 - 2.18	50.3 - 55.4	0.35 - 0.43	8.9 - 10.9
21S050S	2.100	1.98 - 2.18	50.3 - 55.4	0.43 - 0.50	10.9 - 12.7
21S057SB	2.100	1.98 - 2.18	50.3 - 55.4	0.35 - 0.57	8.9 - 14.5
21S070SB	2.100	1.98 - 2.18	50.3 - 55.4	0.51 - 0.71	13.0 - 18.0
21S090SB	2.100	1.98 - 2.18	50.3 - 55.4	0.71 - 0.90	18.0 - 22.9
21S110SB	2.100	1.98 - 2.18	50.3 - 55.4	0.90 - 1.10	22.9 - 27.9
21S110AB	2.100	2.14 - 2.22	54.4 - 56.4	0.90 - 1.10	22.9 - 27.9

# FITTINGS & ACCESSORIES

## TRIPLEX DUCT PLUGS

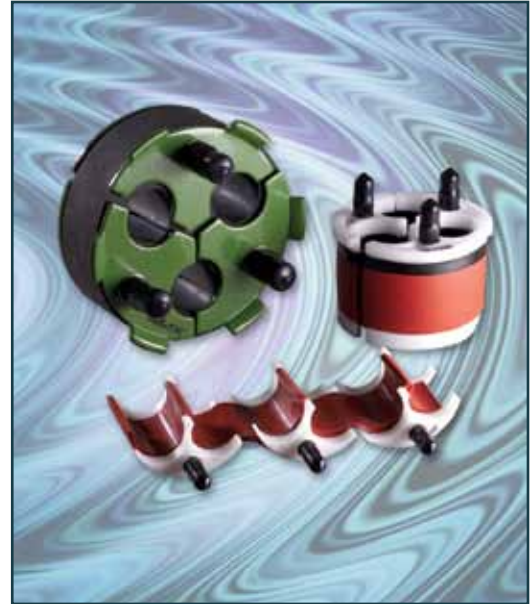
### Multi-Port Sealing Devices for Duct Cable Networks

Triplex duct plugs are split plugs for sealing around, organizing, and supporting up to three subducts, pipes, or cables. The plugs are designed for use in round openings such as conduits, conduit fittings, and core-drilled wall penetrations. Effective long-term water-tight and air-tight seals, these products also prevent mud, backfill, and slurry from entering handholes, manholes, and buildings during the construction process.

The service life of cable, splices, manhole hardware, and electronics can be increased when contact with moisture is reduced. Flooded underground structures are accessed more quickly when they are isolated from the ingress of water, mud, and slurry.

### Triplex Duct Plug Features

- Split design for retrofitting without disassembly
- Anchor and organize subducts or multiple duct systems
- Eliminate duct-edge abrasion to cables
- Expandable gasket allows for expansion and contraction of cables or subducts without leakage
- Excellent for supporting cables at the tops of risers



Part Number	Size	Duct I.D. Range		Cable or Duct O.D. Range	
		inches	mm	inches	mm
21B057SG	2.00	1.97 - 2.13	50.0 - 54.1	0.43 - 0.57	10.9 - 14.5
21B057SGB	2.00	1.97 - 2.13	50.0 - 54.1	0.35 - 0.57	8.9 - 14.5
21B070SGB	2.00	1.97 - 2.13	50.0 - 54.1	0.50 - 0.70	12.7 - 17.8
25B057SG	2.50	2.40 - 2.56	61.0 - 65.0	0.43 - 0.57	10.9 - 14.5
25B057SGB	2.50	2.40 - 2.56	61.0 - 65.0	0.35 - 0.57	8.9 - 14.5
25B070SG	2.50	2.40 - 2.56	61.0 - 65.0	0.62 - 0.70	15.7 - 17.8
25B070SGB	2.50	2.40 - 2.56	61.0 - 65.0	0.50 - 0.70	12.7 - 17.8
25B090SG	2.50	2.40 - 2.56	61.0 - 65.0	0.82 - 0.90	20.8 - 22.9
30B126SG	3.00	3.03 - 3.15	77.0 - 80.0	1.10 - 1.26	27.9 - 32.0
30B136AG	3.00	3.26 - 3.37	82.8 - 85.6	1.22 - 1.36	31.0 - 34.5
35B126S	3.50	3.49 - 3.62	88.6 - 91.9	1.10 - 1.26	27.9 - 32.0
35B136S	3.50	3.49 - 3.62	88.6 - 91.9	1.22 - 1.36	31.0 - 34.5
35B136S-C	3.50	3.49 - 3.62	88.6 - 91.9	1.22 - 1.36	31.0 - 34.5
35B142S	3.50	3.49 - 3.62	88.6 - 91.9	1.30 - 1.42	33.0 - 36.1
35B155HHG	3.50	3.43 - 3.54	87.1 - 89.9	1.38 - 1.54	35.1 - 39.1
36B126SG	3.60	3.70 - 3.81	94.0 - 96.8	1.10 - 1.26	27.9 - 32.0
36B136SG	3.60	3.70 - 3.81	94.0 - 96.8	1.22 - 1.36	31.0 - 34.5
40B122S	4.00	3.94 - 4.13	100.1 - 104.9	1.07 - 1.22	27.2 - 31.0
40B122SG	4.00	3.94 - 4.13	100.1 - 104.9	1.07 - 1.22	27.2 - 31.0
40B136S	4.00	3.94 - 4.13	100.1 - 104.9	1.22 - 1.36	31.0 - 34.5
40B136SG	4.00	3.94 - 4.13	100.1 - 104.9	1.22 - 1.36	31.0 - 34.5
40B136S-C	4.00	3.94 - 4.13	100.1 - 104.9	1.22 - 1.36	31.0 - 34.5
40B142S	4.00	3.94 - 4.13	100.1 - 104.9	1.30 - 1.42	33.0 - 36.1
40B142SG	4.00	3.94 - 4.13	100.1 - 104.9	1.30 - 1.42	33.0 - 36.1
40B150SG	4.00	3.94 - 4.13	100.1 - 104.9	1.36 - 1.50	34.5 - 38.1
40B167SG	4.00	4.09 - 4.29	103.9 - 109.0	1.53 - 1.67	38.9 - 42.4
40B167S	4.00	4.09 - 4.29	103.9 - 109.0	1.53 - 1.67	38.9 - 42.4
40B136AG	4.10	4.16 - 4.29	105.7 - 109.0	1.22 - 1.36	31.0 - 34.5
40B136A	4.10	4.16 - 4.29	105.7 - 109.0	1.22 - 1.36	31.0 - 34.5
40B142AG	4.10	4.16 - 4.29	105.7 - 109.0	1.26 - 1.42	32.0 - 36.1
40B142A	4.10	4.16 - 4.29	105.7 - 109.0	1.26 - 1.42	32.0 - 36.1
40B150A	4.10	4.16 - 4.29	105.7 - 109.0	1.36 - 1.50	34.5 - 38.1
40B150AG	4.10	4.16 - 4.29	105.7 - 109.0	1.36 - 1.50	34.5 - 38.1
40B167A	4.10	4.16 - 4.29	105.7 - 109.0	1.53 - 1.67	38.9 - 42.4

\*Suffix Descriptor  
*S* - Standard PVC and PE ducts (ID)  
*A* - Oversize duct (ID)  
*H* - Undersize ducts (ID)  
*HH* - Undersize ducts and overlap gasket  
*B* - Duct Plugs with inner bushing  
*G* - Duct Plugs with coated metal compression plates  
*#* - Ports with different ID  
*H* - Hole Plug Included

## TRIPLEX DUCT PLUGS CONTINUED

Part Number	Size	Duct I.D. Range		Cable or Duct O.D. Range	
		inches	mm	inches	mm
42B136SG	4.20	4.48 - 4.72	113.8 - 119.9	1.22 - 1.36	31.0 - 34.5
46B167SG	4.60	4.76 - 4.96	121.0 - 126.0	1.53 - 1.67	38.9 - 42.4
50B136HG	4.80	4.88 - 5.10	124.0 - 129.5	1.22 - 1.36	31.0 - 34.5
50B142HG	4.80	4.88 - 5.10	124.0 - 129.5	1.30 - 1.42	33.0 - 36.1
50B150HG	4.80	4.88 - 5.10	124.0 - 129.5	1.36 - 1.50	34.5 - 38.1
50B167HG	4.80	4.88 - 5.10	124.0 - 129.5	1.53 - 1.67	38.9 - 42.4
50B177HG	4.80	4.88 - 5.10	124.0 - 129.5	1.64 - 1.77	41.7 - 45.0
50B192HG	4.80	4.88 - 5.10	124.0 - 129.5	1.77 - 1.92	45.0 - 48.8
50B136SG	5.00	5.04 - 5.35	128.0 - 135.9	1.18 - 1.36	30.0 - 34.5
50B142SG	5.00	5.04 - 5.35	128.0 - 135.9	1.26 - 1.42	32.0 - 36.1
50B150SG	5.00	5.04 - 5.35	128.0 - 135.9	1.36 - 1.50	34.5 - 38.1
50B167SG	5.00	5.04 - 5.35	128.0 - 135.9	1.50 - 1.67	38.1 - 42.4
50B177SG	5.00	5.04 - 5.35	128.0 - 135.9	1.64 - 1.77	41.7 - 45.0
50B192SG	5.00	5.04 - 5.35	128.0 - 135.9	1.73 - 1.92	43.9 - 48.8
60B136HG	5.80	5.82 - 5.98	147.8 - 151.9	1.18 - 1.36	30.0 - 34.5
60B142HG	5.80	5.82 - 5.98	147.8 - 151.9	1.30 - 1.42	33.0 - 36.1
60B150HG	5.80	5.82 - 5.98	147.8 - 151.9	1.36 - 1.50	34.5 - 38.1
60B167HG	5.80	5.82 - 5.98	147.8 - 151.9	1.54 - 1.67	39.1 - 42.4
60B177HG	5.80	5.82 - 5.98	147.8 - 151.9	1.64 - 1.77	41.7 - 45.0
60B192HG	5.80	5.82 - 5.98	147.8 - 151.9	1.81 - 1.92	46.0 - 48.8
60B196HG	5.80	5.82 - 5.98	147.8 - 151.9	1.84 - 1.96	46.7 - 49.8
60B204HG	5.80	5.82 - 5.98	147.8 - 151.9	1.92 - 2.04	48.8 - 51.8
60B220HG	5.80	5.82 - 5.98	147.8 - 151.9	2.08 - 2.20	52.8 - 55.9
60B236HG	5.80	5.82 - 5.98	147.8 - 151.9	1.96 - 2.36	49.8 - 59.9
60B236HGB	5.80	5.82 - 5.98	147.8 - 151.9	1.96 - 2.36	49.8 - 59.9
60B136SG	6.00	6.00 - 6.22	152.4 - 158.0	1.18 - 1.36	30.0 - 34.5
60B142SG	6.00	6.00 - 6.22	152.4 - 158.0	1.26 - 1.42	32.0 - 36.1
60B167SG	6.00	6.00 - 6.22	152.4 - 158.0	1.50 - 1.67	38.1 - 42.4
60B177SG	6.00	6.00 - 6.22	152.4 - 158.0	1.64 - 1.77	41.7 - 45.0
60B192SG	6.00	6.00 - 6.22	152.4 - 158.0	1.73 - 1.92	43.9 - 48.8
60B196SG	6.00	6.00 - 6.22	152.4 - 158.0	1.84 - 1.96	46.7 - 49.8
60B204SG	6.00	6.00 - 6.22	152.4 - 158.0	1.92 - 2.04	48.8 - 51.8
60B217SG	6.00	6.00 - 6.22	152.4 - 158.0	2.05 - 2.17	52.1 - 55.1
60B220SG	6.00	6.00 - 6.22	152.4 - 158.0	2.08 - 2.20	52.8 - 55.9
60B236SG	6.00	6.00 - 6.22	152.4 - 158.0	2.24 - 2.36	56.9 - 59.9
60B236SGB	6.00	6.00 - 6.22	152.4 - 158.0	1.92 - 2.32	48.8 - 58.9
60B244SG	6.00	6.00 - 6.22	152.4 - 158.0	2.33 - 2.44	59.2 - 62.0
60B252SG	6.00	6.00 - 6.22	152.4 - 158.0	2.40 - 2.52	61.0 - 64.0
60B255SG	6.00	6.00 - 6.22	152.4 - 158.0	2.45 - 2.55	62.2 - 64.8
100B346HG	10.00	8.70 - 8.90	221.0 - 226.1	3.23 - 3.39	82.0 - 86.1
100B192S	10.00	9.96 - 10.25	253.0 - 260.4	1.81 - 1.92	46.0 - 48.8
120B396HG	12.00	10.35-10.55	262.9 - 268.0	3.74 - 3.90	95.0 - 99.1
<b>Custom Triplex</b>					
30B090SGB-2	3.00	3.03 - 3.15	77.0 - 80.0	(2x)0.65 - 0.90 (1x)0.57 - 0.70	16.5 - 22.9 14.5 - 17.8
30B132S-1	3.00	3.03 - 3.15	77.0 - 80.0	(2x)1.18 - 1.30 (1x)0.79 - 0.87	30.0 - 33.0 20.1 - 22.1
31T126SB	3.10	3.10 - 3.30	78.7 - 83.8	1.10 - 1.26	27.9 - 32.0
35B118HG-2	3.50	3.49 - 3.62	88.6 - 91.9	(2x)1.42 - 1.55 (1x)1.02 - 1.15	36.1 - 39.4 25.9 - 29.2
35B155HG-1	3.50	3.49 - 3.62	88.6 - 91.9	(1x)1.42 - 1.55 (2x)1.02 - 1.15	36.1 - 39.4 25.9 - 29.2
38T126SGB	3.80	3.78 - 4.09	96.0 - 103.9	1.18 - 1.26	30.0 - 32.0
40T142S	4.00	3.92 - 4.05	99.6 - 102.9	1.31 - 1.42	33.3 - 36.1
40T167S	4.00	4.09 - 4.29	103.9 - 109.0	1.54 - 1.67	39.1 - 42.4
40T167SGB-H	4.00	4.09 - 4.29	103.9 - 109.0	1.54 - 1.67	39.1 - 42.4
40B179SG-1	4.00	3.94 - 4.13	100.1 - 104.9	1.57 - 1.67	40.0 - 42.4
40B190SHG-2	4.00	4.02 - 4.16	102.1 - 105.7	(2x)1.57 - 1.67 (1x)1.81 - 1.91	40.0 - 42.4 46.0 - 48.5
50B260SG-1	5.00	5.04 - 5.35	128.0 - 135.9	(1x)2.40 - 2.56 (2x)0.47 - 0.55	61.0 - 65.0 11.9 - 14.0

\*Suffix Descriptor  
 S - Standard PVC and PE ducts (ID)  
 A - Oversize duct (ID)  
 H - Undersize ducts (ID)  
 HH - Undersize ducts and overlap gasket  
 B - Duct Plugs with inner bushing  
 G - Duct Plugs with coated metal compression plates  
 # - Ports with different ID  
 H - Hole Plug Included

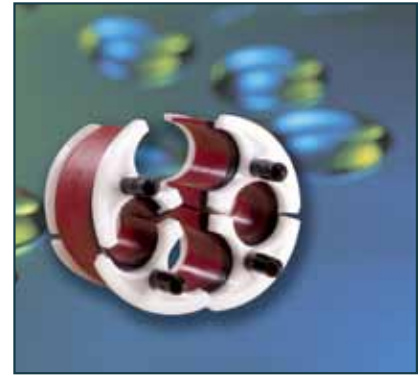
# FITTINGS & ACCESSORIES

## QUADPLEX DUCT PLUGS

### Multi-Port Sealing Ducts

Quadplex duct plugs are split plugs for sealing around, organizing, and supporting up to four subducts, pipes, or cables. The plugs are designed for use in round openings such as conduits, conduit fittings and core-drilled wall penetrations. Effective long-term water-tight and air-tight seals, these products also prevent mud, backfill, and slurry from entering handholes, manholes, and buildings during the construction process.

The service life of cable, splices, manhole hardware and electronics can be increased when contact with moisture is reduced. Flooded underground structures are accessed more quickly when they are isolated from the ingress of water, mud, and slurry.



### Quadplex Duct Plugs Features

- Split design for retrofitting without disassembly
- Anchors and organizes subducts or multiple duct systems
- Eliminates duct-edge abrasion to cables
- Expandable gasket allows for expansion and contraction of cables or subducts without leakage
- Excellent for supporting cables at the tops of risers

Part Number	Size	Duct I.D. Range		Cable or Duct O.D. Range	
		inches	mm	inches	mm
35Q118H	3.50	3.43 - 3.58	87.1 - 90.9	1.10 - 1.18	27.9 - 30.0
35Q126SG	3.50	3.50 - 3.62	88.9 - 91.9	1.14 - 1.26	29.0 - 32.0
35Q126SG-PU	3.50	3.50 - 3.62	88.9 - 91.9	1.14 - 1.26	29.0 - 32.0
36Q136HG	3.60	3.62 - 3.81	91.9 - 96.8	1.19 - 1.36	30.2 - 34.5
36Q126S	3.75	3.70 - 3.81	94.0 - 96.8	1.14 - 1.26	29.0 - 32.0
36Q126SG	3.75	3.70 - 3.81	94.0 - 96.8	1.14 - 1.26	29.0 - 32.0
36Q136SG	3.75	3.70 - 3.81	94.0 - 96.8	1.19 - 1.36	30.2 - 34.5
40Q136H	3.80	3.86 - 4.00	98.0 - 101.6	1.19 - 1.36	30.2 - 34.5
40Q136S	4.00	4.02 - 4.17	102.1 - 105.9	1.19 - 1.36	30.2 - 34.5
40Q136SG	4.00	4.02 - 4.17	102.1 - 105.9	1.19 - 1.36	30.2 - 34.5
40Q142S	4.00	4.02 - 4.17	102.1 - 105.9	1.36 - 1.42	34.5 - 36.1
40Q142SG	4.00	4.02 - 4.17	102.1 - 105.9	1.36 - 1.42	34.5 - 36.1
40Q136A	4.20	4.19 - 4.35	106.4 - 110.5	1.19 - 1.36	30.2 - 34.5
40Q136AG	4.20	4.19 - 4.35	106.4 - 110.5	1.19 - 1.36	30.2 - 34.5
40Q142AG	4.20	4.19 - 4.35	106.4 - 110.5	1.30 - 1.42	33.0 - 36.1
40Q157AG	4.20	4.19 - 4.35	106.4 - 110.5	1.42 - 1.57	36.1 - 39.8
40Q160AG	4.20	4.19 - 4.35	106.4 - 110.5	1.48 - 1.60	37.6 - 40.6
50Q142HG	4.80	4.88 - 5.00	124.0 - 127.0	1.30 - 1.42	33.0 - 36.1
50Q167HG	4.80	4.88 - 5.00	124.0 - 127.0	1.53 - 1.67	38.9 - 42.4
50Q192HG	4.80	4.88 - 5.00	124.0 - 127.0	1.77 - 1.92	45.0 - 48.8
50Q136SG	5.00	5.04 - 5.28	128.0 - 134.1	1.19 - 1.36	30.2 - 34.5
50Q142SG	5.00	5.04 - 5.28	128.0 - 134.1	1.30 - 1.42	33.0 - 36.1
50Q150SG	5.00	5.04 - 5.28	128.0 - 134.1	1.36 - 1.50	34.5 - 38.1
50Q167S	5.00	5.04 - 5.28	128.0 - 134.1	1.50 - 1.67	38.1 - 42.4
50Q177SG	5.00	5.04 - 5.28	128.0 - 134.1	1.67 - 1.77	42.4 - 45.0
50Q192S	5.00	5.04 - 5.28	128.0 - 134.1	1.77 - 1.92	45.0 - 48.8
50Q192SG	5.00	5.04 - 5.28	128.0 - 134.1	1.77 - 1.92	45.0 - 48.8
60Q142HG	5.80	5.82 - 5.98	147.8 - 151.9	1.30 - 1.42	33.0 - 36.1
60Q167HG	5.80	5.82 - 5.98	147.8 - 151.9	1.53 - 1.67	38.9 - 42.4
60Q192HG	5.80	5.82 - 5.98	147.8 - 151.9	1.81 - 1.92	46.0 - 48.8
60Q136SG	6.00	6.02 - 6.33	152.9 - 160.8	1.19 - 1.36	30.2 - 34.5
60Q142SG	6.00	6.02 - 6.33	152.9 - 160.8	1.30 - 1.42	33.0 - 36.1
60Q150SG	6.00	6.02 - 6.33	152.9 - 160.8	1.36 - 1.50	34.5 - 38.1
60Q167SG	6.00	6.02 - 6.33	152.9 - 160.8	1.50 - 1.67	38.1 - 42.4
60Q177SG	6.00	6.02 - 6.33	152.9 - 160.8	1.67 - 1.77	42.4 - 45.0
60Q192S	6.00	6.02 - 6.33	152.9 - 160.8	1.77 - 1.92	45.0 - 48.8
60Q192SG	6.00	6.02 - 6.33	152.9 - 160.8	1.77 - 1.92	45.0 - 48.8
60Q196SG	6.00	6.02 - 6.33	152.9 - 160.8	1.84 - 1.96	47.0 - 49.8
60Q216SG	6.00	6.02 - 6.33	152.9 - 160.8	1.96 - 2.16	49.8 - 54.9
60Q220S	6.00	6.02 - 6.33	152.9 - 160.8	1.96 - 2.20	49.8 - 55.8
80Q238SG	8.00	7.76 - 7.90	197.1 - 200.7	2.16 - 2.38	54.9 - 60.4

## QUADPLEX DUCT PLUGS CONTINUED

Part Number	Size	Duct I.D. Range		Cable or Duct O.D. Range	
		inches	mm	inches	mm
<b>Custom Quadplex</b>					
40Q136S-R	4.00	4.02 - 4.17	102.1 - 105.9	1.19 - 1.36	30.2 - 34.5
40F136S	4.00	3.96 - 4.13	100.6 - 104.9	1.22 - 1.36	31.0 - 34.5
40F136SG	4.00	3.96 - 4.13	100.6 - 104.9	1.22 - 1.36	31.0 - 34.5
40F142SG	4.00	3.96 - 4.13	100.6 - 104.9	1.30 - 1.42	33.0 - 36.1
40F142S	4.00	3.96 - 4.13	100.6 - 104.9	1.30 - 1.42	33.0 - 36.1
40Q160AG-1	4.15	4.19 - 4.35	106.4 - 110.5	(2x)1.48 - 1.60 (2x)1.10 - 1.26	37.6 - 40.6 27.9 - 32.0
40Q160SG-1	4.00	4.02 - 4.17	102.1 - 105.9	(2x)1.48 - 1.60 (2x)1.10 - 1.26	37.6 - 40.6 27.9 - 32.0
40Q167SG-1	4.00	4.02 - 4.17	102.1 - 105.9	(2x)1.56 - 1.67 (2x)1.24 - 1.36	39.6 - 42.4 31.5 - 34.5
40Q169SG-1	4.00	4.02 - 4.17	102.1 - 105.9	(2x)1.59 - 1.69 (2x)1.24 - 1.36	40.4 - 42.9 31.5 - 34.5
45Q160SG-1	4.50	4.61 - 4.80	117.1 - 121.9	(2x)1.48 - 1.60 (2x)1.14 - 1.26	(2x) 37.6 - 40.5 (2x) 29.0 - 32.0

## BUSHING SLEEVES

### Installation Accessories for Duct Sealing Devices

Designed to adapt Simplex, Triplex, or Quadplex plugs' hole sizes to different cable or subduct sealing ranges, Bushing Sleeves allow installers to customize our duct sealing product range to project-specific needs.

When cables of different sizes occupy the same conduit, Bushing Sleeves, rather than expensive custom plugs, solve the problem.



Part Number	Size inches (mm)	Hole Diameter inches (mm)
070-SET1	0.70 (17.8)	SET
090-SET1	0.90 (22.9)	SET
110JMB051-2	1.10 (27.9)	0.51 x 2 (13.0 x 2)
110-SET1	1.10 (27.9)	SET
126JMB038	1.26 (32.0)	0.38 (9.7)
126JMB047	1.26 (32.0)	0.47 (11.9)
126JMB055	1.26 (32.0)	0.55 (14.0)
126JMB063	1.26 (32.0)	0.63 (16.0)
126JMB075	1.26 (32.0)	0.75 (19.1)
126JMB087	1.26 (32.0)	0.87 (22.1)
126JMB094	1.26 (32.0)	0.94 (23.9)
126JMB102	1.26 (32.0)	1.02 (25.9)
126JMB110	1.26 (32.0)	1.10 (27.9)
136JMB026/7	1.36 (34.5)	0.26 X 7 (6.6 x 7)
136JMB038	1.36 (34.5)	0.38 (9.7)
136JMB0407H	1.36 (34.5)	0.40 X 7 (10.2 x 7)
136JMB043-3	1.36 (34.5)	0.43 x 3 (10.9 x 3)
136JMB047	1.36 (34.5)	0.47 (11.9)
136JMB055	1.36 (34.5)	0.55 (14.0)
136JMB063	1.36 (34.5)	0.63 (16.0)
136JMB063/2	1.36 (34.5)	0.63 x 2 (16.0 x 2)
136JMB075	1.36 (34.5)	0.75 (19.1)



# FITTINGS & ACCESSORIES

## BUSHING SLEEVES CONTINUED

Part Number	Size inches (mm)	Hole Diameter inches (mm)
136JMB087	1.36 (34.5)	0.87 (22.1)
136JMB094	1.36 (34.5)	0.94 (23.9)
136JMB102	1.36 (34.5)	1.02 (25.9)
136JMB110	1.36 (34.5)	1.10 (27.9)
136JMB118	1.36 (34.5)	1.18 (30.0)
136JMB126	1.36 (34.5)	1.26 (32.0)
142JMB038	1.42 (36.1)	0.38 (9.7)
142JMB047	1.42 (36.1)	0.47 (11.9)
142JMB055	1.42 (36.1)	0.55 (14.0)
142JMB063	1.42 (36.1)	0.63 (16.0)
142JMB075	1.42 (36.1)	0.75 (19.1)
142JMB0782H	1.42 (36.1)	0.78 x 2 (19.8 x 2)
142JMB087	1.42 (36.1)	0.87 (22.1)
142JMB094	1.42 (36.1)	0.94 (23.9)
142JMB102	1.42 (36.1)	1.02 (25.9)
142JMB110	1.42 (36.1)	1.10 (27.9)
142JMB118	1.42 (36.1)	1.18 (30.0)
142JMB126	1.42 (36.1)	1.26 (32.0)
157JMB075	1.57 (39.9)	0.75 (19.1)
157JMB126	1.57 (39.9)	1.26 (32.0)
157JMB136	1.57 (39.9)	1.36 (34.5)
157JMB142	1.57 (39.9)	1.42 (36.1)
167JMB038	1.67 (42.4)	0.38 (9.7)
167JMB047	1.67 (42.4)	0.47 (11.9)
167JMB055	1.67 (42.4)	0.55 (14.0)
167JMB063	1.67 (42.4)	0.63 (16.0)
167JMB075	1.67 (42.4)	0.75 (19.1)
167JMB087	1.67 (42.4)	0.87 (22.1)
167JMB094	1.67 (42.4)	0.94 (23.9)
167JMB102	1.67 (42.4)	1.02 (25.9)
167JMB110	1.67 (42.4)	1.10 (27.9)
167JMB114	1.67 (42.4)	1.14 (29.0)
167JMB118	1.67 (42.4)	1.18 (30.0)
167JMB126	1.67 (42.4)	1.26 (32.0)
167JMB136	1.67 (42.4)	1.36 (34.5)
167JMB142	1.67 (42.4)	1.42 (36.1)
167JMB150	1.67 (42.4)	1.50 (38.1)
192JMB038	1.92 (48.8)	0.38 (9.7)
192JMB047	1.92 (48.8)	0.47 (11.9)
192JMB055	1.92 (48.8)	0.55 (14.0)
192JMB063	1.92 (48.8)	0.63 (16.0)
192JMB075	1.92 (48.8)	0.75 (19.1)
192JMB087	1.92 (48.8)	0.87 (22.1)
192JMB094	1.92 (48.8)	0.94 (23.9)
192JMB102	1.92 (48.8)	1.02 (25.9)
192JMB110	1.92 (48.8)	1.10 (27.9)
192JMB118	1.92 (48.8)	1.18 (30.0)
192JMB126	1.92 (48.8)	1.26 (32.0)
192JMB136	1.92 (48.8)	1.36 (34.5)
192JMB142	1.92 (48.8)	1.42 (36.1)
192JMB150	1.92 (48.8)	1.50 (38.1)
192JMB157	1.92 (48.8)	1.57 (39.9)
192JMB167	1.92 (48.8)	1.67 (42.4)
192JMB173	1.92 (48.8)	1.73 (43.9)
192JMB181	1.92 (48.8)	1.81 (46.0)
<b>Flat Drop Bushings</b>		
057JMB179-FD1	0.57 (14.5)	Flat Fiber Drop x 1
065JMB179-FD2	0.65 (16.5)	Flat Fiber Drop x 2
070JMB179-FD2	0.70 (17.8)	Flat Fiber Drop x 2
090JMB179-FD3	0.90 (22.9)	Flat Fiber Drop x 3
100JMB179-FD1	1.00 (25.4)	Flat Fiber Drop x 1
100JMB179-FD1-4X	1.00 (25.4)	Combination 4 x
136JMB179-FD4	1.36 (34.5)	Flat Fiber Drop x 4

## ALUMINUM COUPLERS

### Anodized Aluminum Duct Couplers

An anodized coating that is color coded by size protects these couplers and connectors, increasing their durability in the field. Designed for all types of polyethylene ducts, these products feature a ribbed external surface that provides excellent non-slip gripping during installation. Their low profile allows the couplers to pass easily through plowchutes.

Reverse-Threaded Couplers are tapered to accommodate the wide range of sizes and diameters common in the telecom industry today. Each coupler can be used with all ducts of the same nominal size, eliminating the problem of determining specific outside diameters. The buttressed threads provide excellent mechanical hold.

Barbed Couplers feature concentric air-tight barbs instead of spiral threads for maximum pullout resistance. The barbs are more effective under high-pressure airflow during cable propulsion. Install these couplers with the use of a coupling press.

S-Threaded Couplers are reverse threaded and straight to accommodate one size only. Provides tighter seal and more thread engagement on standard size duct.



### Features

- Reverse-threaded or barbed
- Color-coded sizing
- Anodized
- Designed for all types of polyethylene ducts

Part Number	Size	Duct O.D. Range		Color
		inches	mm	
<b>Reverse-Threaded Couplers</b>				
07CP108U	0.75	0.91 - 1.08	23.1 - 27.4	Black
10CP126U	1.00	1.15 - 1.25	29.2 - 31.7	Silver-Gray
10CP142U	1.00	1.18 - 1.42	30.0 - 36.0	Aluminum
11CP157U	1.125	1.40 - 1.57	35.6 - 39.9	Green
12CP170U	1.25	1.48 - 1.70	37.6 - 43.2	Burgundy
13CP185U	1.375	1.60 - 1.85	40.6 - 47.0	Champagne
15CP200U	1.50	1.80 - 2.00	45.7 - 50.8	Navy Blue
20CP252U	2.00	2.31 - 2.51	58.7 - 63.8	Bronze
25CP307U	2.50	2.80 - 3.07	71.1 - 78.0	Brown
40CP465U	4.00	4.41 - 4.65	112.0 - 118.1	Turquoise
40CP490U	4.00	4.65 - 4.90	118.1 - 124.5	Aqua
<b>Reducers</b>				
100CP142-157U	1.0/1.25	1.40 - 1.57	35.6 - 39.9	Aluminum
		1.18 - 1.42	30.3 - 36.0	
15CP157-190U	1.25/1.50	1.40 - 1.57	35.6 - 39.9	Dark Blue
		1.70 - 1.90	43.18 - 48.26	
<b>S-Threaded Couplers</b>				
05CP084S	0.50	0.84	21.3	Purple
11CP148S	1.125	1.48	37.6	Light Green
12CP152S	1.25	1.52	38.6	Red
11CP157S	1.125	1.57	39.8	Green
12CP166S	1.25	1.66	42.2	Burgundy
15CP190S	1.50	1.90	48.2	Marine Blue
20CP238S	2.00	2.38	60.5	Bronze
25CP288S	2.50	2.87	73.0	Lt. Gold
30CP350S	3.00	3.50	88.9	Orange
<b>Barbed Couplers*</b>				
10CP132SB	1.00	1.315	33.4	Aluminum
12CP154SB	1.25	1.57	39.9	Red
12CP162SB	1.25	1.62	41.1	Fuschia
12CP166SB	1.25	1.66	42.2	Burgundy
15CP182SB	1.50	1.82	46.2	Lt. Blue
15CP190SB	1.50	1.90	48.3	Blue
15CP197SB	1.50	1.97	50.0	Dark Blue
20CP238SB	2.00	2.375	60.3	Bronze

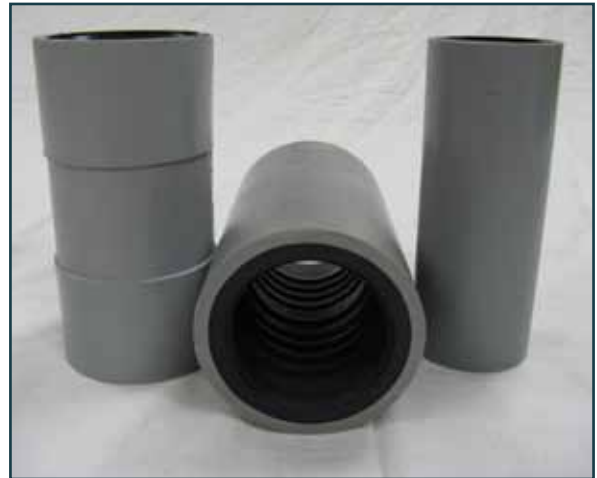
\*A coupling press is needed for installation

# FITTINGS & ACCESSORIES

## E-Loc® COUPLING

The E-Loc Coupling is a compression coupling that provides a watertight/airtight connection in buried or restrained applications. The ability to join dissimilar materials, such as, PVC, HDPE, fiberglass, or metal makes the E-Loc a versatile coupling for the telephone, electrical, and cable industries. Patented.

E-Loc Couplings are available to fit conduit sizes from 1/2" through 8", including several special diameters. Watertight to 200 psi restrained on smooth wall, ribbed, and corrugated duct. Custom lengths and transitions for different diameters are also available.



Duct Size	Part No.	Duct O.D.	Cplg. O.D.	Length
1/2"	EL084	0.840	1.400	6
1/2"	EL086	0.860	1.400	6
5/8"	EL062	0.625	1.315	6
3/4"	EL105	1.050	1.660	6
1"	EL131	1.316	2.375	6
1"	EL140	1.400	2.375	6
1"	EL142	1.420	2.375	6
1"	EL149	1.490	2.375	6
1-1/4"	EL154	1.540	2.375	6
1-1/4"	EL157	1.575	2.375	6
1-1/4"	EL160	1.600	2.375	6
1-1/4"	EL166	1.660	2.375	6
1-1/4"	EL175	1.750	2.375	6
1-1/2"	EL190	1.900	2.875	6
1-1/2"	EL183	1.832	2.875	6
2"	EL237	2.375	3.500	6
2"	EL243	2.430	3.500	6
2-1/2"	EL287	2.875	4.000	6
3"	EL350	3.500	4.500	6
4" "C DUCT"	EL435	4.350	5.563	6
4"	EL400	4.500	5.563	6
4"	EL4008	4.500	5.563	8
4"	EL40012	4.500	5.563	12
4"	EL40014	4.500	5.563	14
4"	ELR400 Repair Sleeve	4.500	5.563	6
4"	ELR4008 Repair Sleeve	4.500	5.563	8
4"	EL476	4.760	5.563	6
4"	EL47614	4.760	5.563	14
5"	E-500	5.563	6.625	6
5"	EL5008	5.563	6.625	8
6"	EL600	6.625	7.700	6
6"	EL6008	6.625	7.700	8
6"	EL60012	6.625	7.700	12
8"	EL800	8.625	9.775	6

All measurements are in inches. We also have "E-Loc" Electrical Terminal Adapters: Sizes 1/2" - 2-1/2". Call for details.

## E-Loc® TRANSITION COUPLING

The E-Loc Transition Coupling is a compression coupling used to provide a watertight/airtight connection for different diameter duct in buried or restrained applications. The E-Loc Transition Coupling has all the great features as the standard E-Loc Coupling including the ability to join dissimilar materials such as PVC, HDPE, fiberglass or metal.

The E-Loc Transition Coupling is watertight to 200 psi when restrained on smooth wall, ribbed and corrugated duct. Custom lengths and transition are also available.

Part. No.	From: Nom. Duct Size	To: Nom. Duct Size	Coupling O.D. (Inches)	Coupling Length (Inches)
ELA6656*	6" IPS	5" IPS	7.700	6
ELA6645*	6" IPS	4" IPS	7.700	6
ELA5645*	5" IPS	4" IPS	6.625	6
ELA5645R*#	5" IPS	4" IPS	6.625	6
ELA4745	4.750" O.D. DUCT	4" IPS	5.563	6
ELA4743	4.750" O.D. DUCT	4.350" "C" DUCT	5.563	6
ELA4543	4" IPS	4.350" "C" DUCT	5.563	6
ELA454318	4" IPS	4.350" "C" DUCT	5.563	18
ELA4542	4" IPS	4.215" O.D. DUCT	5.563	6
ELA4540*	4" IPS	3-1/2" IPS	5.563	6
ELA4535*	4" IPS	3" IPS	5.563	6
ELA4528*	4" IPS	2-1/2" IPS	5.563	6
ELA4523	4" IPS	2" IPS	5.563	6
ELA4335*	4.350" "C" DUCT	3" IPS	5.563	6
ELA3528	3" IPS	2-1/2" IPS	4.500	6
ELA3523	3" IPS	2" IPS	4.500	6
ELA2823	2-1/2" IPS	2" IPS	5.563	6
ELA2319	2" IPS	1-1/2" IPS	3.500	6
ELA2316	2" IPS	1-1/4" IPS	3.500	6
ELA2315	2" IPS	1.540" I.D. DUCT	3.500	6
ELA2313	2" IPS	1" IPS	3.500	6
ELA235183	2" IPS	1-1/2" I.D. DUCT	3.500	6
ELA1916	1-1/2" IPS	1-1/4" IPS	2.875	6
ELA1915R#	1-1/2" IPS	1.540" I.D. DUCT	2.875	6
ELA1913	1-1/2" IPS	1" IPS	2.875	6
ELA177154	1.770" O.D. DUCT	1.540" I.D. DUCT	2.375	6
ELA1616	1-1/4" IPS	1.580" I.D. DUCT	2.375	6
ELA1615	1-1/4" IPS	1.540" I.D. DUCT	2.375	6
ELA16140	1-1/4" IPS	1.400" O.D. DUCT	2.375	6
ELA16137	1-1/4" IPS	1.370" O.D. DUCT	2.375	6
ELA16131	1-1/4" IPS	1" IPS	2.375	6
ELA166105	1-1/4" IPS	3/4" IPS	2.375	6
ELA1514	1.540" I.D. DUCT	1.420" O.D. DUCT	2.375	6
ELA15131	1.540" I.D. DUCT	1" IPS	2.375	6
ELA13713	1" DURALINE CORR.	1" IPS	2.375	6
ELA08648	0.860" DUCT	1/2" IPS	1.540	6

\* Non Stock Made to Order.

# Repair Transition Fitting (No Stop)

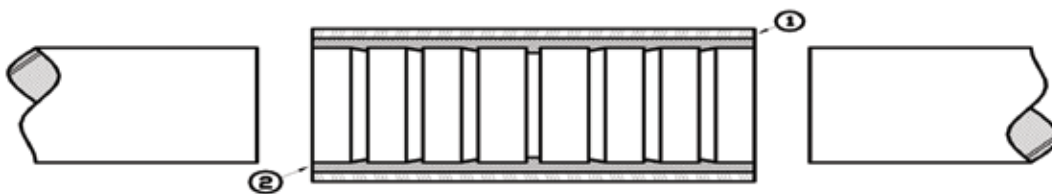
# FITTINGS & ACCESSORIES

## INSTALLATION INSTRUCTIONS FOR E-LOC® COUPLINGS / E-LOC® TRANSITION COUPLINGS

1. Check and make sure size of coupling is same as conduit being installed. E-Loc Couplings / Transition Couplings are based on standard O.D. sizes.
2. Wipe ends of conduit clean. Make sure it is clean of burrs, dirt, or foreign material.
3. To insure the coupling is fully inserted, place a reference point mark on both ends of the conduit a distance from the end equal to 1/2 the overall length of the coupling. For example, if using a 6" long coupling, place a mark 3" from each end of the conduit; on 8" long couplings, place a mark 4" from each end and so forth depending upon length of the coupling. When properly installed, the mark should be visible against each end of the coupling.
4. The ends of the conduit can be lubricated with water or water with a small amount of liquid dishwashing soap. **(Do not use motor oil or thread lubricants commonly used for metal pipe threads. This includes W-D 40® "type" lubricant.)**
5. On smaller diameter conduit, position coupling on the conduit, place a board across the end and hit with a small mallet or hammer. For easier installation of the E-Loc Transition Couplings, ETCO suggests installing the larger end of the conduit first – if possible. **(Do not hit the coupling directly with the hammer.)** On larger diameter conduit, clean and lubricate ends per steps #1 thru #4. Use a bar and a block to push the joint. If a hammer and block of wood are used, make sure wood is in contact with both sides of the coupling and hit block center. **(Do not hit the coupling directly with the hammer.)** Check to make sure conduit is all the way "home" using the reference point mark.
6. When joining conduit off a reel, install the E-Loc Coupling / Transition Coupling on conduit end coming from reel using steps #1 thru #5 above. After the coupling is on properly, push the installed coupling onto the clean second conduit end (lubricate if needed). If necessary, place a small board on the edge of coupling toward the reel and drive coupling on to second conduit. **(Do not hit coupling directly with the hammer.)**

---

## UTILITY CONDUIT JOINTING SYSTEM E-LOC® COUPLINGS\*



(Cross Section)

### Material Specifications:

1. PVC sleeve stock conforms to NEMA TC2, TC6 & TC8 and ASTM F-512. The sleeve stock is rated for 90° C.
2. Polyurethane elastomer is ETCO 8706 thermosetting elastomer manufactured for sealing rings and gasket material.

### Specifications:

Color.....	Black
Hardness (ASTM-D-676) .....	68 Shore A
Tensile (ASTM-D-412).....	800 psi
Tear (ASTM-D-624 Die "C") .....	88 pli
Elongation (ASTM-D-412).....	160%
Specific Gravity (ASTM-D-792).....	1.24
Compression Modulus – 10% (ASTM-D-575).....	212-220 psi

\*U. S. Patent No. 5,180,197

## DOUBLE E-LOC® COUPLINGS

The Double E-Loc coupling was designed and developed to join both smooth and ribbed HDPE innerduct, specifically for pneumatic methods of cable placement where air and water-tight integrity of the system is imperative, and where the joint is unrestrained such as in a vault, manhole or hand hole. The standard E-Loc coupling is pressure tight to internal pressures above 200 psi when restrained or buried, but the Double E-Loc can maintain these pressures unrestrained. The Double E-Loc coupler is reusable.

### Features

- Sizes 1" thru 2" IPS
- Pressure tested in excess of 200 psi unrestrained
- Pull out tests exceeds pull requirement of conduit pull tests
- Quick - Easy to install - Reusable
- Can be used on smooth and ribbed HDPE conduit
- No metal components



Part No.	Nominal Duct Size & Type	Duct O.D. (Inches)	Cplg. Length when Tight (Inches)	Unrestrained Pressure Rating (psi)	Force (Lbs.) Required To Pull Out of Coupling
DEL131R	1" IPS Smooth Wall 1" Ribbed	1.315 1.340	6.25	200+ psi	1000+
DEL135R	1.350" Smooth Wall	1.350	6.25	200+ psi	1000+
DEL142R	1.42" Smooth Wall 1-1/8" Ribbed SIDR 9	1.420 1.460	6.25	200+ psi	1000+
DEL150R	1.50" O.D. SDR 11	1.500	6.25	200+ psi	1000+
DEL150B* (Black)	1-1/4" SDR 9 Aerial	1.500	6.25	200+ psi	1000+
DEL-154R	1-1/4" Smooth Wall, True 1.25" I.D. 1-1/4" Ribbed	1.503 1.575	6.25	200+ psi	1000+
DEL157R	40 mm Duct	1.575	6.25	200+ psi	1000+
DEL160R	1.600" O.D. Smooth	1.600	6.25	200+ psi	1000+
DEL166	1-1/4" IPS Smooth Wall	1.660	6.25	200+ psi	1100-1370
DEL166R	1-1/4" Ribbed	1.700	6.25	200+ psi	1600+**
DEL171R	1.710" O.D. Smooth	1.710	6.25	200+ psi	1100+
DEL178R	1-1/2" True SIDR 9 1.830" Ribbed	1.830	8.25	200+ psi	1800+
DEL183	1-1/2" True SIDR 9 1.830" Smooth	1.830	8.25	200+ psi	1800+
DEL190	1-1/2" IPS	1.900	8.25	200+ psi	1800+***
DEL237	2" IPS SDR 11 SDR 13.5 Aerial	2.375	8.5	200+ psi 200+ psi 200+ psi	2900-3000 2300-2500 2300

\*UV Resistant

\*\*Test was conducted after jointed assemblies were put in cold box @ 4° Fahrenheit for 20 hours. Force to pull out was 2100 lbs. on both units tested

\*\*\*Test conducted after assembly for 24 hours at -3° Fahrenheit. Force to pull out was 2560 lbs.

# FITTINGS & ACCESSORIES

## DOUBLE E-LOC® TRANSITION COUPLING

HDPE to HDPE Conduit

Part No.	From: O. D. Inches	To: O. D. Inches
DEL142131	1.420	1.315
DEL154150	1.540	1.500
DEL160150	1.600	1.495
DEL160154	1.600	1.540
DEL166131	1.660	1.315
DEL166142	1.660	1.420
DEL166154	1.660	1.540
DEL166160	1.660	1.600
DEL190166	1.900	1.660
DEL237190	2.375	1.900
DEL237166	2.375	1.660



## DOUBLE E-LOC® TRANSITION FITTINGS

- HDPE Polyethylene to Rigid PVC
- Double E-Loc to Male Pipe Thread
- Double E-Loc to Solvent Weld

Part No.	Description
DEL1661.25 MPT	Male Pipe Thread
DEL1901.50 MPT	Male Pipe Thread
DEL2372.00 MPT	Male Pipe Thread
DEL1661.25MSW	Male Solvent Weld
DEL1901.50 MSW	Male Solvent Weld
DEL2372.00 MSW	Male Solvent Weld



## E-LOC® TRANSITION FITTINGS

- Polyethylene to Rigid PVC
- E-Loc to Male Pipe Thread
- E-Loc to Solvent Weld

Part No.	Description
ELA1661.25 MPT	Male Pipe Thread
ELA1901.50 MPT	Male Pipe Thread
ELA2372.00 MPT	Male Pipe Thread
ELA1661.25MSW	Male Solvent Weld
ELA1901.50 MSW	Male Solvent Weld
ELA2372.00 MSW	Male Solvent Weld



## WUNPEECE DUCT SPACER

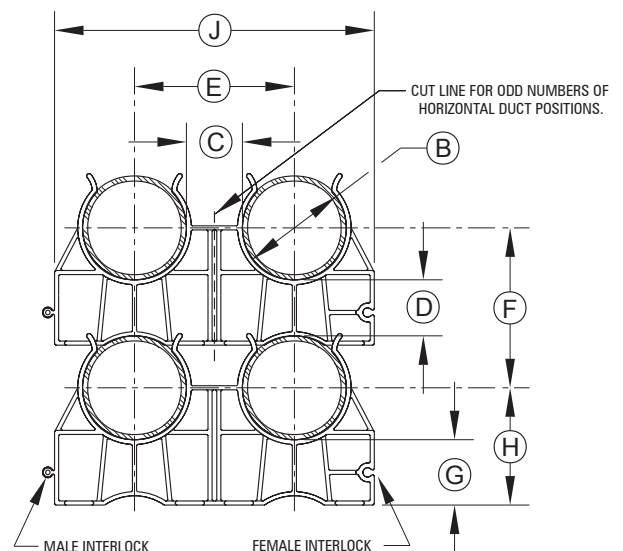
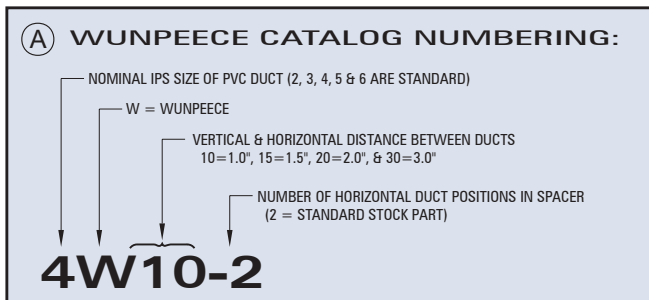
- Custom spacer units (3-way, 4-way, etc.) assembled at no extra cost
- Half as many parts to handle - molded as a two-way
- Easy snap-in design cuts your labor in half
- Random positioning along duct run eliminates vertical shear plane
- For all types of duct and almost any duct bank configuration

	(A) WUNPEECE CATALOG NO.	IPS* DUCT SIZE	(B) DUCT OD	NUMBER OF HORIZONTAL DUCT POSITIONS ***	DUCT TO DUCT SEPARATION		CENTER TO CENTER SEPARATION		(G) BOTTOM OF TRENCH TO BOTTOM OF BOTTOM DUCT	(H) BOTTOM OF TRENCH TO CENTER OF BOTTOM DUCT	(J) BASIC O.A.L.
					(C) HORIZONTAL	(D) VERTICAL	(E) HORIZONTAL	(F) VERTICAL			
STANDARD SPACERS	2W20-2	2"	2.375	2	2.000		4.375		3.000	4.188	8.750
	2W30-2	2"	2.375	2	3.000		5.375		3.500	4.688	10.750
	3W20-2	3"	3.500	2	2.000		5.500		3.000	4.750	11.000
	3W30-2	3"	3.500	2	3.000		6.500		3.500	5.250	13.000
	4W10-2	4"IPS*	4.500	2	.850	1.000	5.350	5.500	1.750	4.000	10.700
		4"TEL**	4.350	2	1.000			5.350		3.925	
	4W15-2	4"	4.500	2	1.500		6.000		3.000	5.250	12.000
	4W15-3	4"	4.500	3	1.500		6.000		3.000	5.250	18.000
	4W20-2	4"	4.500	2	2.000		6.500		3.000	5.250	13.000
	4W30-2	4"	4.500	2	3.000		7.500		3.500	5.750	15.000
	5W15-2	5"	5.563	2	1.500		7.063		3.000	5.781	14.125
	5W20-2	5"	5.563	2	2.000		7.563		3.000	5.781	15.125
	5W30-2	5"	5.563	2	3.000		8.563		3.500	6.281	17.125
	6W20-2	6"	6.625	2	2.000		8.625		3.000	6.312	17.250
	6W20-3	6"	6.625	3	2.000		8.625		3.000	6.312	25.875
	6W30-2	6"	6.625	2	3.000		9.625		3.500	6.812	19.250
	6W30-3	6"	6.625	3	3.000		9.625		3.500	6.812	28.875
	8W20-2	8"	8.625	2	2.000		10.625		3.000	7.312	21.250
SPECIALTY SPACERS	2DB08-2	2"	SEE DETAIL ON NEXT PAGE								
	2DB08-4	2"	SEE DETAIL ON NEXT PAGE								
	64W20-2	6" & 4"	SEE DETAIL ON NEXT PAGE								
	646W20-3	6" & 4"	SEE DETAIL ON NEXT PAGE								
	5W64-2b	5" & 2"	SEE DETAIL ON NEXT PAGE								
	5W64-2i	5" & 2"	SEE DETAIL ON NEXT PAGE								
	6W54-2b	6" & 2"	SEE DETAIL ON NEXT PAGE								
	6W54-2i	6" & 2"	SEE DETAIL ON NEXT PAGE								
6264W3015-3	6", 4" & 2"	SEE DETAIL ON NEXT PAGE									

\*IPS IS THE NOMINAL SIZE OF PVC DUCT & CONDUIT PER NEMA TC 2, TC 6 & TC 8

\*\*TEL IS THE NOMINAL SIZE OF PVC TYPE B TELEPHONE DUCT PER NEMA TC 10

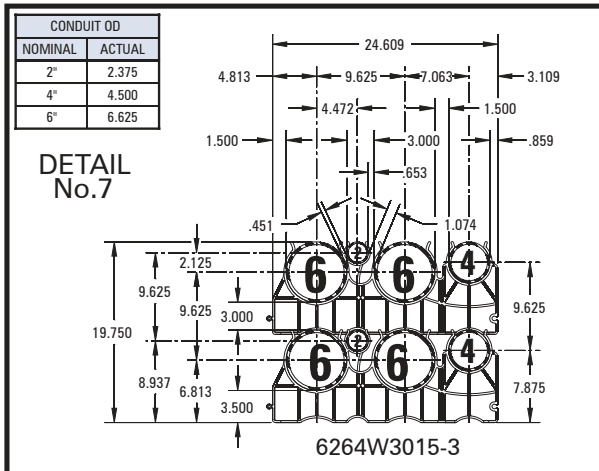
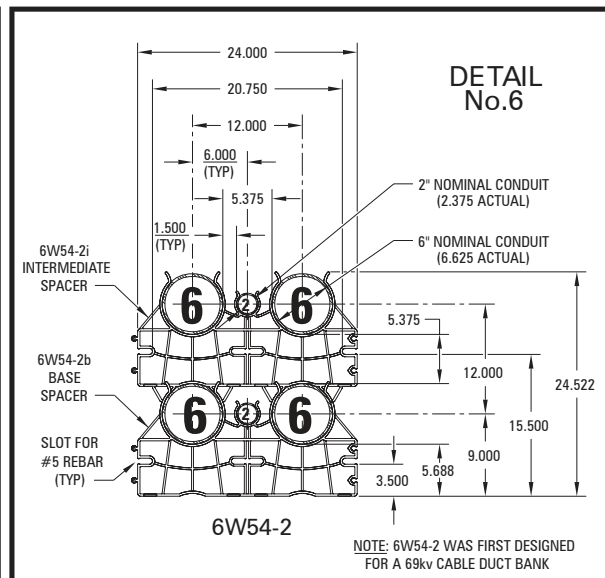
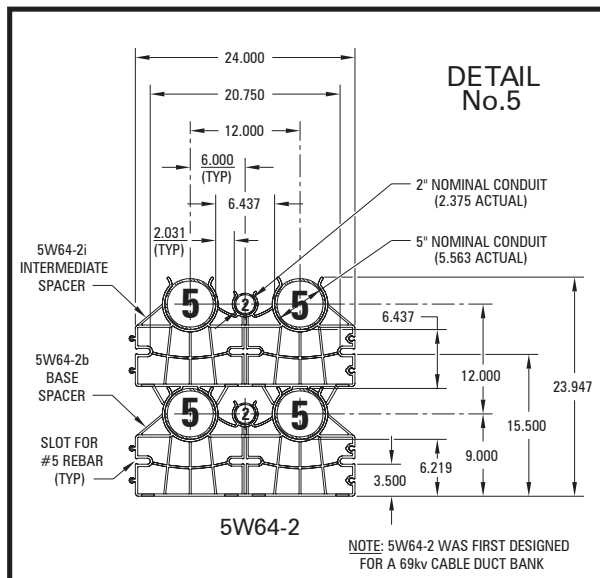
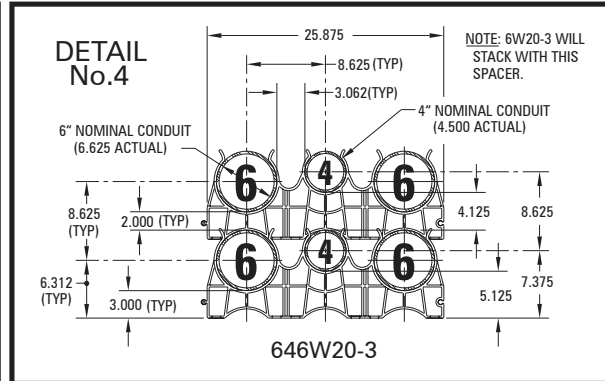
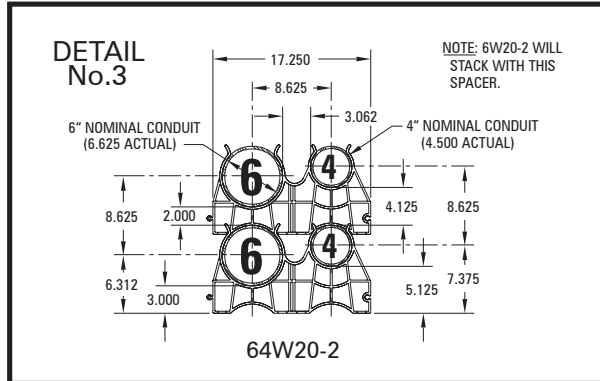
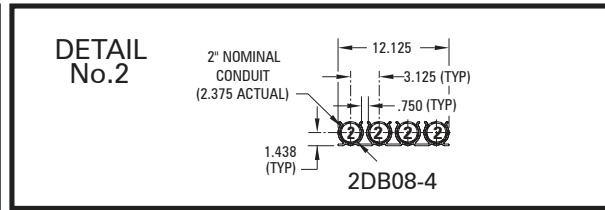
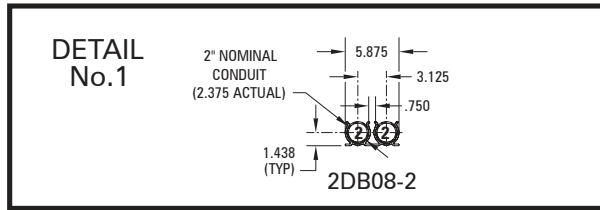
\*\*\*USING "MOLDED-IN" INTERLOCKS, WUNPEECE SPACERS MAY BE FIELD ASSEMBLED FOR ANY NUMBER OF HORIZONTAL POSITIONS.





# FITTINGS & ACCESSORIES

## WUNPEECE DUCT SPACER

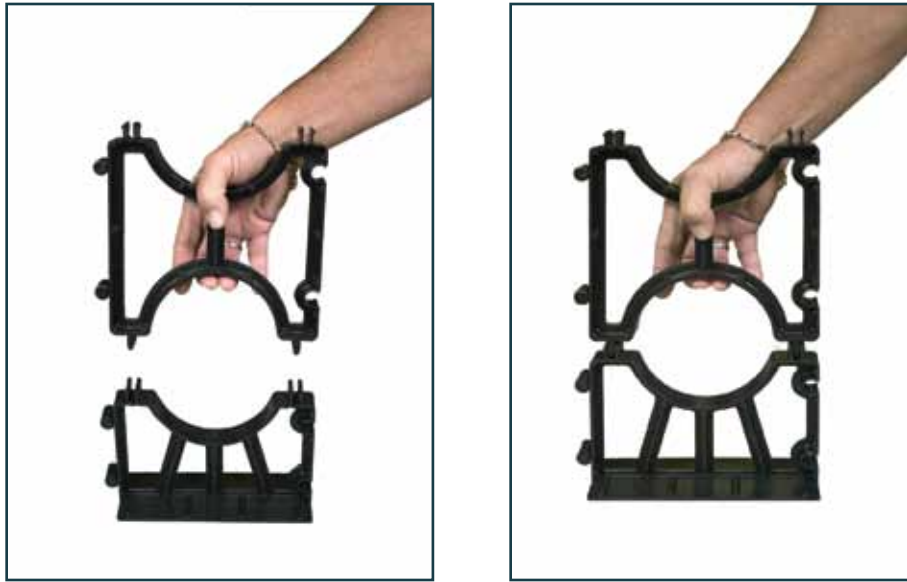


## UNDERGROUND SPACER SYSTEM

Vertical-Lok spacers stabilize duct banks, prevent distortion of bottom tiers and allow pre-assembly outside the trench. The Vertical-Lok spacer system provides positive vertical and horizontal spacing of underground ducts while providing independent support for each duct in a bank. It's the fast, easy way to build completely enclosed and locked-in banks of any size, with any number of tiers and any number of ducts side by side, in straight or curved runs.

### System uses modular elements

The spacer elements are modular and interlock at the sides and top to secure the ducts against separation during backfilling. Two modules are offered: a base spacer-flat at the bottom and an intermediate spacer. When the duct bank is capped with a spacer, the need for spacers as top caps is not necessary. The Cap-Lok is an easy and cost effective method for securing the top of the duct bank.



### ASSEMBLY IS A SNAP

Base and intermediate spacers interlock both vertically and horizontally; the interlocks plus wide base-plates provide solid support for duct bank.

Push together. As shown above, the suggested method is to snap spacers together with a vertical push.

Slide together. As shown at right, above, units will also slide together; this method is for use in unusual field conditions such as duct repair.

### INTERMEDIATE AND BASE SPACERS DIMENSIONS

Base spacers provide a 3" separation between the bottom row of ducts and the trench floor, except for the 4" x 1" size which is 1-3/4".

### DIMENSIONAL DATA

Nominal Size	1" Separation			1-1/2" Separation			2" Separation			3" Separation		
	R	A	C	R	A	C	R	A	C	R	A	C
2"	Saddle spacers only			1.2	4.0	1.5	1.2	4.5	2.0	1.2	5.5	3.0
3"	Saddle spacers only			1.8	5.1	1.5	1.8	5.6	2.0	1.8	6.6	3.0
4"	2.3	5.6	1.0	2.3	6.1	1.5	2.3	6.6	2.0	2.3	7.6	3.0
5"	Saddle spacers only			2.9	7.3	1.5	2.9	7.9	2.0	2.9	8.9	3.0
6"	--	--	--	3.3	8.2	1.5	3.4	8.7	2.0	3.4	9.8	3.0
8"	--	--	--	4.3	10.2	1.5	4.3	10.7	2.0	--	--	--

# FITTINGS & ACCESSORIES

## POLYWATER® F FIBER OPTIC CABLE LUBRICANT

Polywater® Lubricant F is a high performance, pourable liquid lubricant recommended for long, difficult, lightguide cable pulls. It is slow drying and leaves a lubricating film after its waterbase has evaporated. Polywater® Lubricant F will not stress crack low density polyethylene. It is compatible with all common types of cable jackets.

Polywater® Lubricant WF (winter grade) has the same characteristics as Polywater® Lubricant F and is specially formulated for use in temperatures as low as -20°F (-30°C).

Package Size	Lube F®	Lube WF®	Units/CS
55-gallon drum (208 l)	F-Drum	WF-Drum	1
5-gallon pail (18.9 l)	F-640	WF-640	1
2½-gallon jug (9.6 l)	F-320	WF-320	2
1-gallon jug (3.8 l)	F-128	WF-128	4
1-qt squeeze bottle (.95 l)	F-35	WF-35	12



## POLYWATER® J HIGH PERFORMANCE WIRE & CABLE PULLING LUBRICANT

Polywater® Lubricant J is a high performance, clean, slow-drying, water-based gel lubricant. Lubricant J provides maximum tension reduction in all types of cable pulling. It is especially recommended for long pulls, multiple-bend pulls and pulls in a hot environment. Lubricant J dries to form a thin lubricating film which retains its lubricity for months after use.

Polywater® Lubricant J is a specification-grade lubricant that does not promote flame propagation when used with fire-retardant cables and systems. Polywater® Lubricant WJ (winter grade) has the same characteristics as Polywater® Lubricant J and is specially formulated for use in temperatures as low as -20°F (-30°C).

Package Size	Lube J®	Lube WJ®	Units/CS
55-gal drum (208 l)	J-Drum	WJ-Drum	1
5-gal pail (18.9 l)	J-640	WJ-640	1
1-gal pail (3.8 l)	J-128	WJ-128	4
1/2-gal FEP™ in 5-gal pail (1.9 l)	J-110	WJ-110	10
1-quart FEP™ in 5-gal pail (.95 l)	J-99	WJ-99	16
1/2-gal FEP™ in carton (1.9 l)	J-55	WJ-55	6
1-quart squeeze bottle (.95 l)	J-35	WJ-35	12
1-quart FEP™ in carton (.95 l)	J-27	WJ-27	12



## POLYWATER® PRELUBE 2000™ CABLE BLOWING LUBRICANT

Polywater® Prelube 2000™ reduces frictional drag during the blowing of outside plant cable into duct. It increases the length of cable that can be blown in a single shot. Prelube 2000™ can also be used to blow in the hollow microtubes intended to hold future microcables (use Prelube 5000™ for blowing the microcables themselves). Over the last decade, Prelube 2000™ has been proven in the blowing of tens of thousands of kilometers of cable in over 20 countries on a variety of cable blowing machines.

Package Size	Regular Grade Prelube 2000™	Winter Grade Prelube 2000™	Prelube 5000™ for Microcables	Units/CS
8-fl. oz. squeeze bottle (.24 l)	--	--	PM-8	6
1-quart squeeze bottle (.95 l)	P-35	WP-35	--	12
1-gallon jug (3.8 l)	P-128	WP-128	--	4
5-gallon pail (18.9 l)	P-640	WP-640	--	1



## POLYESTER MULETAPE®

Whether you're installing cable or locating your underground network, NEPTCO MULETAPE has the power and performance you need. Available in a variety of constructions including woven polyester and aramid, versatile MULETAPE allows you to thread, measure, pull and detect with a single product, saving both time and money.

### Features & Benefits

- Lubricated for easy pulling and reduced friction
- Durably printed with sequential footage or meter markings\*
- Available in a variety of pulling strengths from 200 to 6,000 lbs. (91-2727 kg)
- Low elongation for enhanced worker safety
- Lightweight and easily blown into conduit or innerduct
- Available in splice-free lengths up to 100,000 ft. (30 km) for faster, easier installation
- Packaged on sturdy wooden or plastic reels

\* All products are also available unprinted



## POLYESTER MULETAPE®

Part No.	Strength (lbs/kg)	Typical Bowline Strength (lbs/kg)	Typical MULEKNOT Strength (lbs/kg)	Minimum Reel Lengths (ft/km)	Maximum Reel Lengths (ft/km)	Approximate Width
WP900P	900/409	480/218	770/350	3000/1	100,000/31	1/2"
WP1250P	1250/568	760/345	900/409	3000/1	70,000/21	1/2"
WP1800P	1800/818	830/377	1400/636	3000/1	50,000/15	5/8"
RP1800P	1800/818	830/377	1400/636	3000/1	3,000/1	3/8"
WP2500P	2500/1136	1300/591	1800/818	3000/1	25,000/8	3/4"

## DETECTABLE POLYESTER MULETAPE®

- 22-gage and 24-gage conductors

22-Gage Part No.	24-Gage Part No.	Strength (lbs/kg)	Typical Bowline Strength (lbs/kg)	Typical MULEKNOT Strength (lbs/kg)	Minimum Reel Lengths (ft/km)	Approximate Width
DT1250P	DP1250P	1250/568	760/345	900/409	3000/1	1/2"
DT1800P	DP1800P	1800/818	830/377	1400/636	3000/1	5/8"
DT2500P	DP2500P	2500/1136	1300/591	1800/818	3000/1	3/4"

## **BonDuit<sup>®</sup>** Conduit Adhesive

### DESCRIPTION

BonDuit<sup>®</sup> Conduit Adhesive joins polyethylene duct to PVC, fiberglass, and metal duct using standard PVC couplings. This rapid-cure, two-part resin adhesive forms a durable bond for a strong, permanent, water-tight joint.

BonDuit<sup>®</sup> Conduit Adhesive is a versatile field-friendly conduit joining solution. It works for multiple conduit types and sizes. It is easy to use and no special training is required.

### ADHESIVE SHEAR STRENGTH

Typical bond strengths were measured by joining two pieces of HDPE conduit with a PVC coupling and BonDuit<sup>®</sup> Adhesive. The force required to pull apart the joint after 24 hours at 70° F was measured.

Conduit Diameter	Pullout Force
1 Inch	724 lbs <sub>f</sub>
1-1/2 Inch	1,233 lbs <sub>f</sub>
2 Inch	2,025 lbs <sub>f</sub>
4 Inch	5,333 lbs <sub>f</sub>

Results based on 3rd-party laboratory testing.

### HYDROSTATIC (PRESSURE) TESTING

BonDuit<sup>®</sup> Conduit Adhesive forms a water-tight joint. HDPE duct was joined to PVC duct with a PVC coupling and the adhesive. The ducts were filled with water, sealed, pressurized to 60 psi, and observed over time for leakage. The joint was then subjected to a short duration, high pressure test.

Test Duration	Result
1,000 Hours	No Leaks

Continuous pressure test based on ASTM D1598, "Time to Failure of Plastic Pipe Under Constant Internal Pressure."

#### Short Duration High Pressure (Burst Test)

Maximum Pressure	Result
> 250 psi	No Leaks

Burst test based on ASTM D1599, "Resistance to Short-Time Hydraulic Pressure of Plastic Pipe, Tubing and Fittings (Burst Test)."



**BonDuit<sup>®</sup> Conduit Adhesive is supplied in a two-part cartridge and is mixed as it is applied.**

### PRODUCT BENEFITS:

- Easy to use
- Fast cure
- Durable bond
- Water-tight and air-tight seal
- High tensile strength
- Suitable for most common ducts

### END USE:

BonDuit<sup>®</sup> Conduit Adhesive bonds polyethylene to:

- PVC Couplings
- Concrete Vaults
- Transition Couplings
- Above Ground Conduits
- Steel Sweeps and Elbows
- Fiberglass and Composite Connections



## MODEL SPECIFICATION

Approved conduit joining system is BonDuit® Conduit Adhesive. The conduit adhesive shall come in a multiple-use cartridge to bond various conduit connections without special fitting or positioning jigs. The packaging shall automatically mix and meter the adhesive. The cure rate for the adhesive shall be fast, reaching 50% of final strength in one hour (@ 75° F), and 80% of final strength in two hours (@ 75° F). The peak exotherm temperature of mixed product shall not exceed 200° F (20 gram sample.) Product shall be suitable for use on various duct materials, multiple duct sizes and connection types.

Once cured, the adhesive seal shall be airtight and watertight. A one-inch, PVC coupling sealed to a polyethylene duct with the adhesive shall hold 120 psi air pressure after curing one hour at 75° F. The pull-out strength of a two-inch polyethylene duct sealed to a PVC coupling shall be at least 910 lbs force after curing one hour at 75° F and at least 1820 lbs force after curing for 24 hours. The adhesive shall have a minimum flexural strain of 2% as measured by ASTM D790.

The cured adhesive shall be resistant to water, salt water, oils, and uv degradation. The cured bond shall withstand temperature extremes from -60° F to 250° F. It shall withstand multiple freeze-thaw cycles. The cured product shall be non-conductive with a minimum dielectric strength of 450 Volts/Mil as measured by ASTM D149.

## ORDER INFORMATION

<u>Part No.</u>	<u>Package Description</u>
BT-KITG	Kit contains: 2 50-ml BonDuit® Adhesive Cartridges 8 Mixing Nozzles 1 Strip of Sanding Cloth 8 TR-1 Cleaning Wipes 1 Instruction Sheet 1 Dispensing Tool
BT-KIT	Kit contains: 2 50-ml BonDuit® Adhesive Cartridges 8 Mixing Nozzles 1 Strip of Sanding Cloth 8 TR-1 Cleaning Wipes 1 Instruction Sheet (Dispensing tool not included.)
BT-KITB6G	Bulk kit contains 6 Individual Kits, BT-KIT 1 Dispensing Tool Included
BT-KITB6	Bulk kit contains 6 Individual Kits, BT-KIT (Dispensing tool not included.)
BT-TOOL	1 Dispensing Tool
BT-10NOZZLE	10 Mixing Nozzles
BT-CART12PK	12 50-ml BonDuit® Adhesive Cartridges in a Package

*\*\*Slower curing version BonDuit® Conduit Adhesive available (BTSC). Call your local Vikimatic customer service representative for details.*